

THIS DRAWING IS UNPUBLISHED.

RELEASED FOR PUBLICATION

2008

© COPYRIGHT 2008 BY -

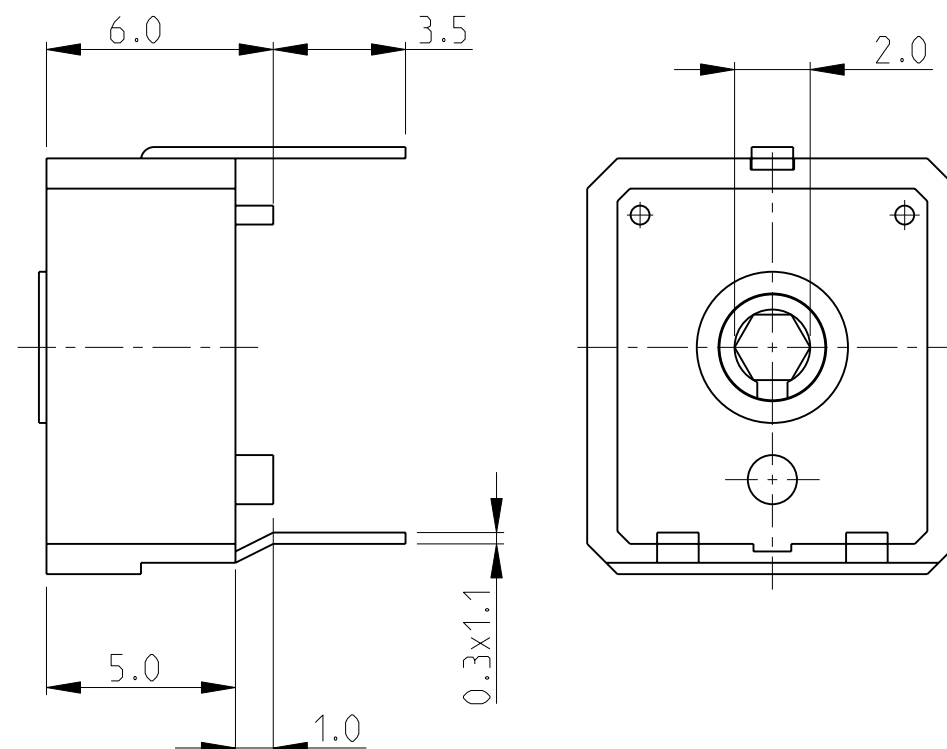
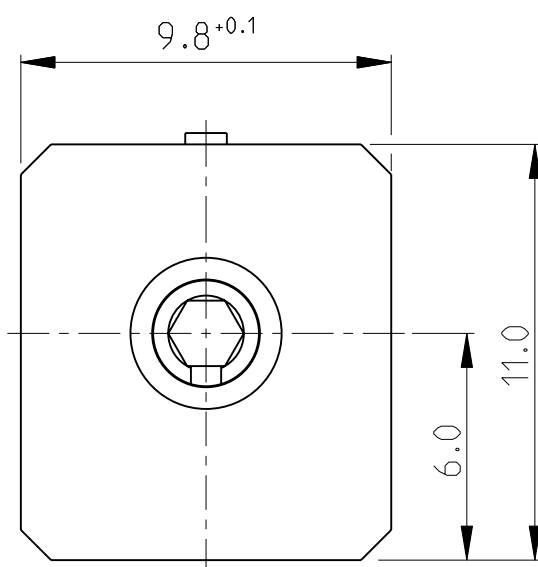
ALL RIGHTS RESERVED.

LOC	DIST
E	B

REVISIONS

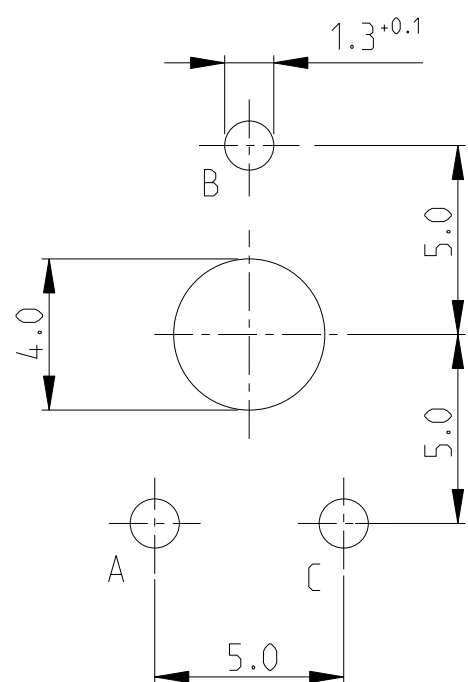
P	LTR	DESCRIPTION	DATE	DWN	APVD
	BA1	REVISED PER ECO-11-005150	29MAR2011	RK	HMR

CB10MV AS SHOWN

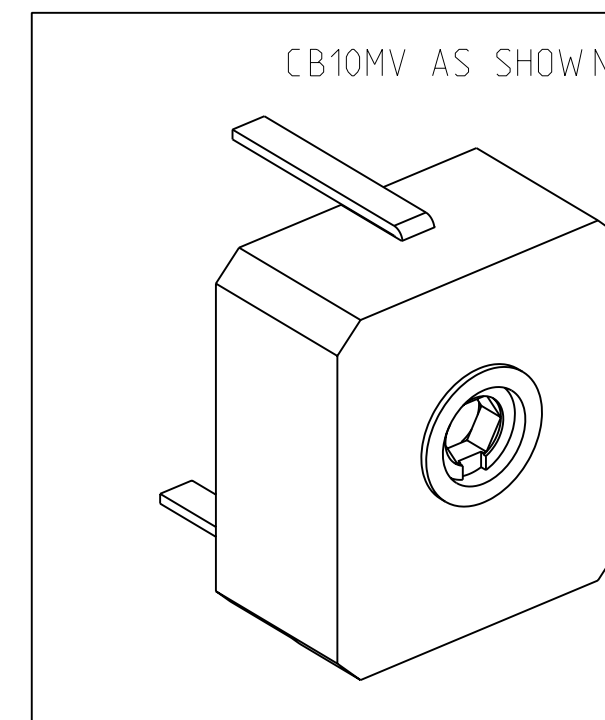



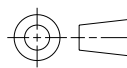
FOR FURTHER INFORMATION SEE DATA SHEET FOR CB10 SERIES-CARBON ECONOMY TRIMMERS

RECOMMENDED PCB PATTERN



RoHS Compliant



THIS DRAWING IS A CONTROLLED DOCUMENT.		DWN	SUBHASH.M	17-SEP-08	 TE Connectivity CARBON ECONOMY TRIMMERS SERIES CB10 MV
DIMENSIONS: mm		CHK	PRAKASH.S	17-SEP-08	
		APVD	STEPHEN.P	17-SEP-08	
TOLERANCES UNLESS OTHERWISE SPECIFIED: 0 PLC ± 0.5 1 PLC ± 0.2 2 PLC ± 0.1 3 PLC ± - 4 PLC ± - ANGLES ± 5°		PRODUCT SPEC	-	-	
MATERIAL -		FINISH	-	-	NAME
		WEIGHT	-	-	APPLICATION SPEC
		CUSTOMER DRAWING	SCALE 5:1		RESTRICTED TO
			SIZE A3	CAGE CODE 00779	DRAWING NO. 1630481
			SHEET 1 OF 1		REV BA1